



5-year warranty

Type overview

| Type | Stroke                           |
|------|----------------------------------|
| BGVL | 0.6" [15 mm] LV, 3/4" [20 mm] SV |

Technical data

|                           |                          |   |
|---------------------------|--------------------------|---|
| <b>Functional data</b>    | Fluid                    | chilled or hot water and steam                      |
|                           | Fluid Temp Range (water) | Please Refer to Manufacturer's Valve Specifications |
|                           | Mounting Position        | 360°  |
|                           | Applicable valve size    | 0.5...2" [15...50]                                  |
| <b>Materials</b>          | Hardware                 | SS and Nickel plated steel                          |
|                           | Frame, plate, base       | aluminum  |
|                           | Coupling                 | GF Nylon supplied                                   |
| <b>Suitable actuators</b> | Non-Spring               | LVB(X)<br>SVB(X)                                    |
|                           | Electrical fail-safe     | LVKB(X)<br>SVKB(X)                                  |

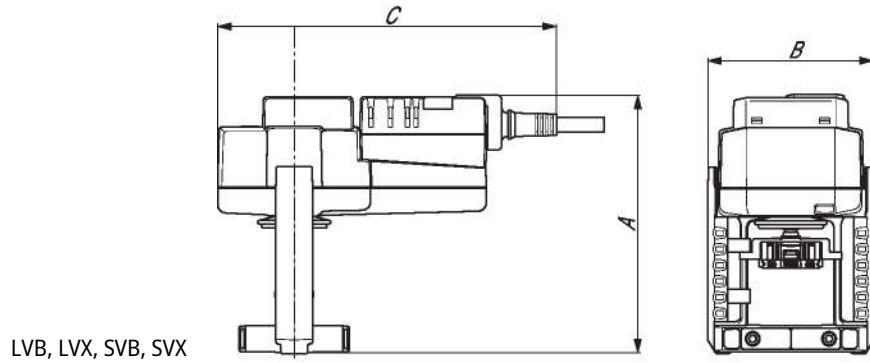
For close-off pressure reference Select Pro or retrofit technical documentation.

Product features

|                              |   |
|------------------------------|---|
| <b>Default/Configuration</b> | The default set up for a BGVL linkage will be factory installed along with a LV or SV series actuator. Included in the kit will be all the necessary hardware to facilitate mounting to the Belimo Globe Valve.   |
| <b>Application</b>           | The BGVL kit is designed to easily attach LV and SV series actuators to Belimo Globe Valves. The tapered bonnet and notched stem design allow easy installation of the BGVL on 1/2" to 2" two-way or three-way valves in both normally open and normally closed configurations. |
| <b>Operation</b>             | The BGVL linkage with actuator will provide 20 mm of linear travel to accommodate a wide range of valve sizes.  |

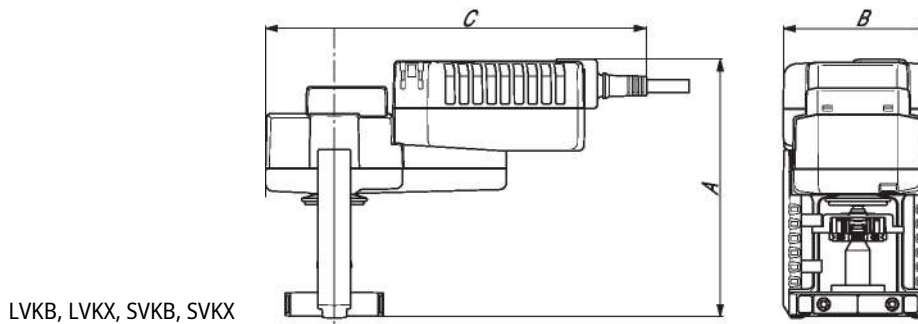
Dimensions

| Type | Weight           |
|------|------------------|
| BGVL | 1.1 lb [0.50 kg] |



LVB, LVX, SVB, SVX

| A          | B         | C          |
|------------|-----------|------------|
| 6.0" [152] | 3.8" [97] | 7.9" [201] |



LVKB, LVKX, SVKB, SVKX

| A          | B         | C          |
|------------|-----------|------------|
| 6.7" [171] | 3.8" [97] | 8.1" [206] |



5-year warranty



Technical data

|                              |                                    |   |                                       |
|------------------------------|------------------------------------|---|---------------------------------------|
| <b>Electrical data</b>       | Nominal voltage                    | AC/DC 24 V  |                                       |
|                              | Nominal voltage frequency          | 50/60 Hz  |                                       |
|                              | Nominal voltage range              | AC 19.2...28.8 V / DC 21.6...28.8 V   |                                       |
|                              | Power consumption in operation     | 1.5 W   |                                       |
|                              | Power consumption in rest position | 2 W   |                                       |
|                              | Transformer sizing                 | 4 VA  |                                       |
|                              | Electrical Connection              | 18 GA plenum cable, 1 m, with 1/2" conduit connector, degree of protection NEMA 2 / IP54  |                                       |
|                              | Overload Protection                | electronic throughout full stroke   |                                       |
|                              | Electrical Protection              | actuators are double insulated  |                                       |
| <b>Functional data</b>       | Actuating force motor              | 1500 N [340 lbf]  |                                       |
|                              | Operating range Y                  | 2...10 V  |                                       |
|                              | Operating range Y note             | 4...20 mA w/ ZG-R01 (500 Ω, 1/4 W resistor)   |                                       |
|                              | Input Impedance                    | 100 kΩ for 2...10 V (0.1 mA), 500 Ω for 4...20 mA   |                                       |
|                              | Position feedback U                | 2...10 V  |                                       |
|                              | Position feedback U note           | Max. 0.5 mA   |                                       |
|                              | Direction of motion motor          | selectable with switch  |                                       |
|                              | Manual override                    | 4 mm hex crank (shipped w/actuator)   |                                       |
|                              | Stroke                             | 0.75" [19 mm]   |                                       |
|                              | Running Time (Motor)               | 90 s /  |                                       |
|                              | Running time motor variable        | 90 or 150 s   |                                       |
|                              | Noise level, motor                 | 45 dB(A)  |                                       |
|                              | Position indication                | Mechanical, with pointer  |                                       |
|                              | <b>Safety data</b>                 | Power source UL   | Class 2 Supply                        |
| Degree of protection IEC/EN  |                                    | IP54  |                                       |
| Degree of protection NEMA/UL |                                    | NEMA 2  |                                       |
| Enclosure                    |                                    | UL Enclosure Type 2   |                                       |
| Agency Listing               |                                    | cULus acc. to UL60730-1A/-2-14, CAN/CSA E60730-1:02, CE acc. to 2014/30/EU and 2014/35/EU |                                       |
| Quality Standard             |                                    | ISO 9001  |                                       |
| Ambient humidity             |                                    | Max. 95% RH, non-condensing   |                                       |
| Ambient temperature          |                                    | -22...122°F [-30...50°C]  |                                       |
| Storage temperature          |                                    | -40...176°F [-40...80°C]  |                                       |
| Servicing                    |                                    | maintenance-free  |                                       |
| <b>Weight</b>                |                                    | Weight  | 2.87 lb [1.3 kg]                      |
| <b>Materials</b>             |                                    | Housing material  | Die cast aluminium and plastic casing |

**Footnotes** † Use flexible metal conduit. Push the listed conduit fitting device over the actuator's cable to butt against the enclosure. Screw in conduit connector. Jacket the actuators input wiring with listed flexible conduit. Properly terminate the conduit in a suitable junction box. Rated impulse Voltage 800V. Type of action 1. Control pollution degree 3.

**Electrical installation**

**INSTALLATION NOTES**

- Actuators may also be powered by DC 24 V.
- Only connect common to negative (-) leg of control circuits.
- A 500 Ω resistor (ZG-R01) converts the 4...20 mA control signal to 2...10 V.
- Actuators with plenum cable do not have numbers; use color codes instead.
- Meets cULus requirements without the need of an electrical ground connection.
- Warning! Live electrical components!**  
During installation, testing, servicing and troubleshooting of this product, it may be necessary to work with live electrical components. Have a qualified licensed electrician or other individual who has been properly trained in handling live electrical components perform these tasks. Failure to follow all electrical safety precautions when exposed to live electrical components could result in death or serious injury.

**Wiring diagrams**  
VDC / 4 to 20 mA

