



New Compact Size
24 VOLT DC POWER SUPPLY
P/N 60-2685-25
P/N 60-2685-50
DIN Rail Mounted
RoHS - Compliant

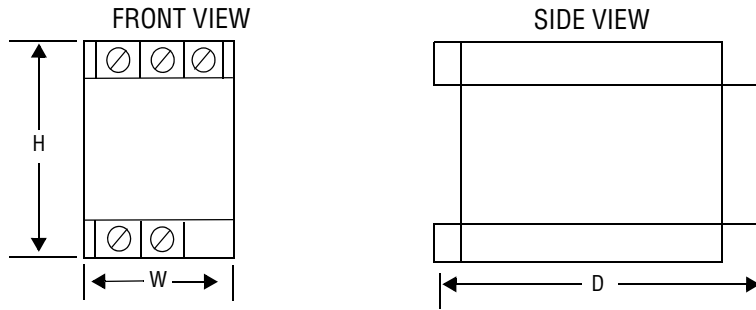
SPECIFICATIONS

	PART NUMBER 60-2685-25	PART NUMBER 60-2685-50
Power Rating (Note 1)	60W	120W
INPUT		
Input Voltage	100VAC to 240VAC	100VAC to 240VAC
Input Frequency	50/60 Hz	50/60HZ
OUTPUT		
Output Current (Note 1)	2.5A	5A
Output Voltage	24 VDC	24 VDC
Voltage Adjustment Range	-10% to +15%	-10% to +15%
Ripple	2% (p-p) max.	2% (p-p) max.
Rise Time	1000 ms max.	1000 ms max.
Hold Time	20 ms min.	20 ms min.
GENERAL		
Indicator LED	Green: DC ON	Green: DC ON
Ambient Temperature (Note 1)	0° to 40°C/ 32° to 104°F	0° to 40°C/ 32° to 104°F
Humidity	25% to 85%	25% to 85%
H, Overall Height	3.7" (95mm)	4.5" (115mm)
W, Overall Width	1.6" (40mm)	2.0" (50mm)
D, Overall Depth	4.3" (108mm)	4.8" (121mm)

Notes:

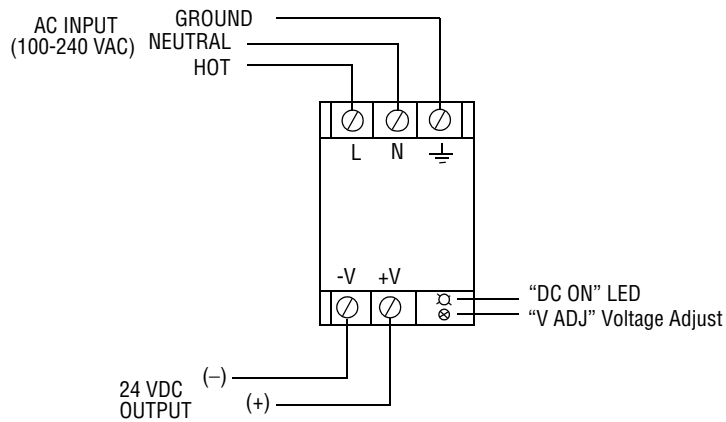
1. The listed Power Rating and Output Current is when the power supply is mounted vertically, and with ambient temperatures from 0°C to 40°C (32°F to 104°F). The full ambient temperature range is from -10°C to 60°C (14°F to 140°F), but with a reduced output per the derating curve on page 2.

DIMENSIONS

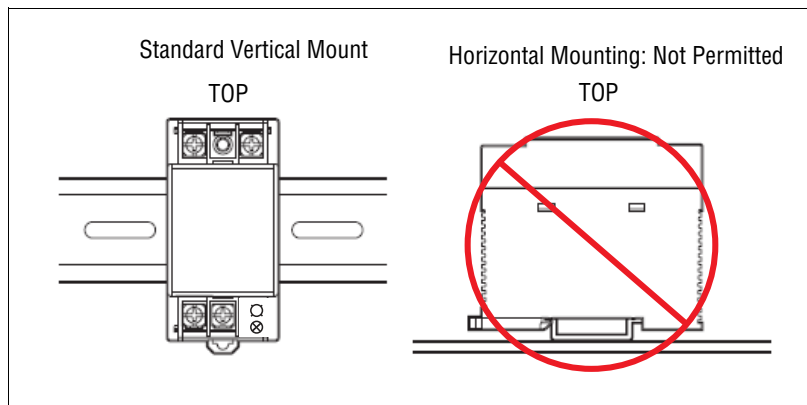


ELECTRICAL WIRING

Both P/N 60-2685-25 and P/N 60-2685-50



MOUNTING POSITION



DERATING CURVE

