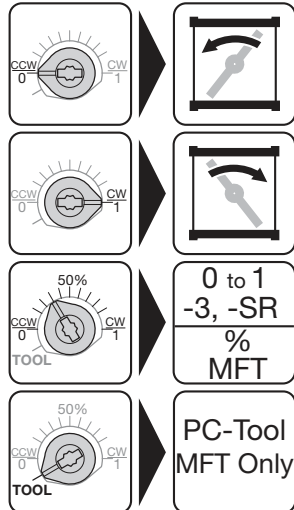
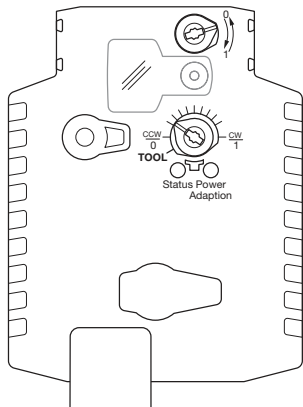
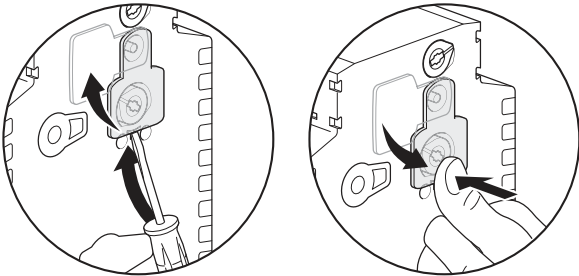
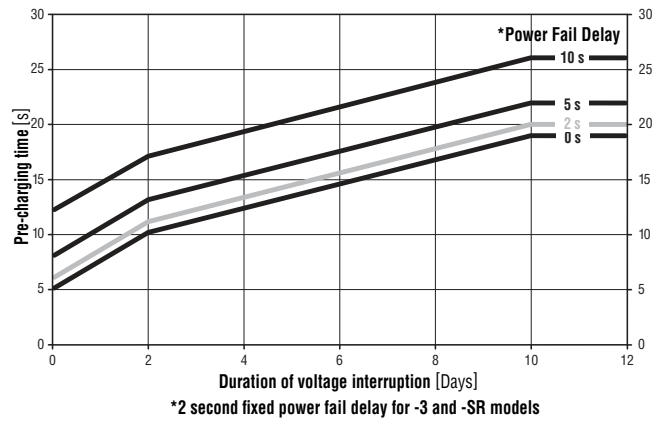


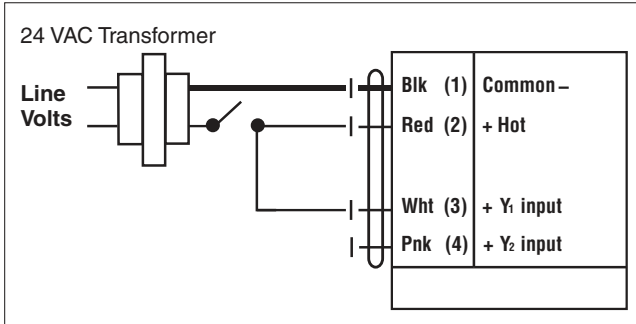
Fail-Safe Position Setting



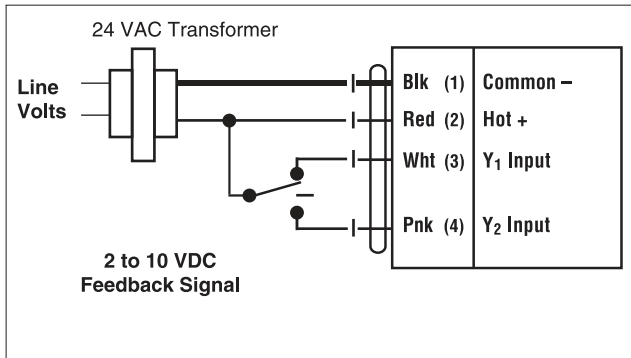
Typical Pre-Charging Times



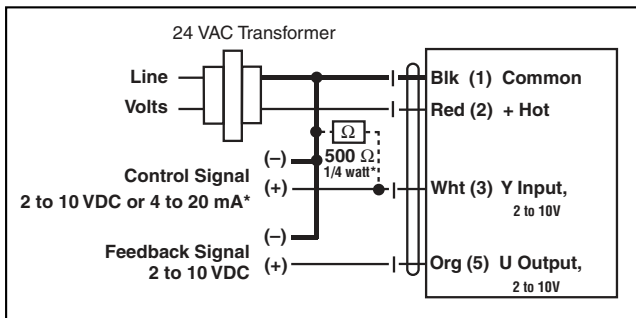
SUBJECT TO CHANGE. © BELIMO AIRCONTROLS (USA), INC.



On/Off



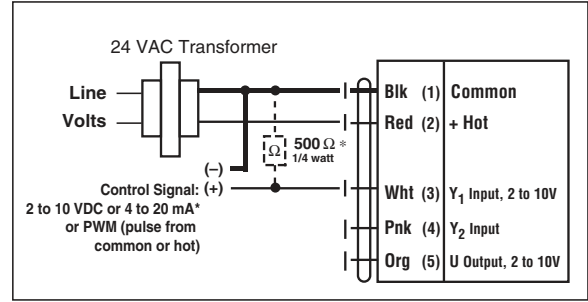
Floating Point



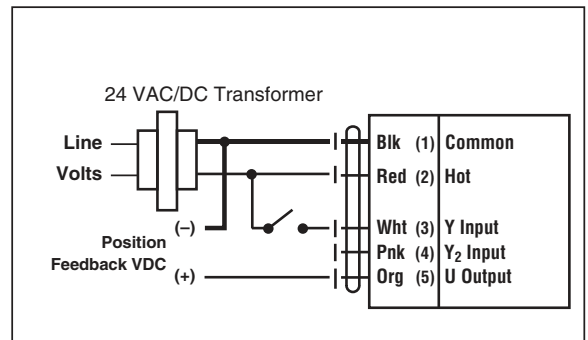
2 to 10 VDC
*use 500 Ω resistor for 4 to 20 mA

Wire Colors

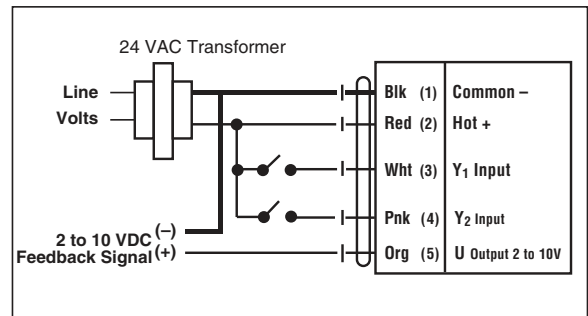
BLK Black Negro Noir Preto	RED Red Rojo Rouge Vermelho	PNK Pink Rosado Rosa Cor-de rosa	Master Master Amo Maitre Mestre
ORG Orange Anaranjado Orange Alaranjado	WHT White Blanco Blanc Branco	Slave Slave Esclavo Esclave Escravo	



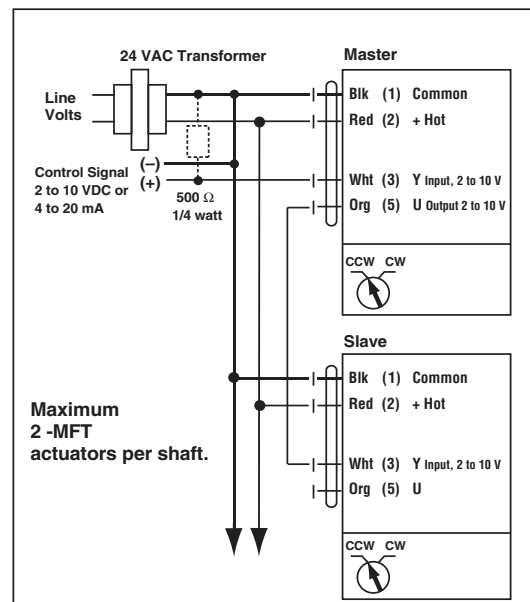
VDC/4-20 mA, PWM
*use 500 Ω resistor for 4 to 20 mA



Two-Position



Floating Point



MFT Master-Slave

SUBJECT TO CHANGE. © BELIMO AIRCONTROLS (USA), INC.

Belimo worldwide: www.belimo.com

BELIMO Americas

USA Locations, 43 Old Ridgebury Road, Danbury, CT 06810

Tel. 800-543-9038, Fax 800-228-8283, marketing@us.belimo.com

1049 Fortunato Loop, Sparks, NV 89436

Tel: 800-987-9042, Tel: 775-857-4243, Fax: 800-987-8875, marketing@us.belimo.com

Canada Locations, 14/16 – 5716 Coopers Avenue, Mississauga, Ontario L4Z 2E8

Tel. 866-805-7089, Fax 905-712-3124, marketing@us.belimo.com

Latin America and the Caribbean Customer Service,

Tel. 203-791-8396, Fax 203-791-9139, marketing@us.belimo.com

