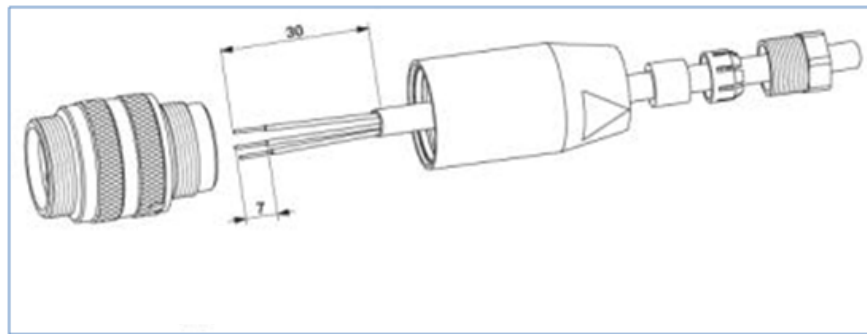


# 129-192 FIELD WIREABLE CONNECTOR For Use With FX04-1, FX20-1, FX50-1 SERVOS

For best performance servo, motors should be daisy chained from the PPC4000 control. For FX-1 series servos, dual connectors wired in parallel are supplied on each servo to facilitate the daisy chain method.

Communication to and from the servos are via high speed MODBUS-RTU and a twisted shielded pair is mandatory to assure high throughput and reduced errors. Fireeye supplies cable options that contain the necessary wire construction to supply both power to the servo and a twisted shielded pair for communications. The 59-565 contains two 18 AWG wires for 24 vdc power along with a separate twisted pair. The 59-561 contains two 18 AWG wires for 24 vdc power along with two separate twisted pairs. To use the 59-561, the blue/yellow pair will be snipped off from each end.

## Connector / Cable preparation



As shown above the cable strip length is specified at 30 mm (1.2 in) and each wire strip length is 7 mm (0.275 in).

To use cable 59-561, strip one end as specified and cut off the blue and yellow wires. Strip each wire and wire to connector as shown

