

OpenAir™ GSD Series, Non-Spring Return, 20 lb-in (2 Nm), Rotary Electronic Damper Actuators

Product Numbers

Product Number	Torque	Voltage		Control Signals		Plenum Cabling	Appliance Cable	Auxiliary Switch
	20 lb-in (2 Nm)	24 Vac/dc	100 to 240 Vac	2-Position/ Floating	Modulating 0(2) to 10 Vdc			
GSD141.1P			—		—		—	—
GSD146.1P			—		—		—	—
GSD341.1U		—			—		—	—
GSD346.1U		—			—		—	—
GSD161.1P			—		—		—	—
GSD166.1P			—		—		—	—

Technical Data

Operating voltage	(GSD1x) (GSD3x)	24 Vac ± 20%, 50/60 Hz 100 to 240 Vac ± 10%, 50/60 Hz
Torque		20 lb-in (2 Nm)
Runtime for 90°		30 seconds
Nominal angle of rotation		90° typical
Power consumption		Running Holding
GSD14x; 24 Vac/dc 60 Hz		2.2 VA (1.2 W) 1.0 VA (0.5 W)
GSD16x; 24 Vac/dc 60 Hz		2.4 VA (1.4 W) 1.2 VA (0.7 W)
GSD34x; 120 Vac 60 Hz		4.5 VA (1.8 W) 2.4 VA (0.9 W)
Damper shaft size		3/8-inch to 1/2-inch diameter (8 mm to 13 mm) 1/4-inch to 7/16-inch square (6 mm to 11 mm)
Damper shaft length, minimum		3/4-inch (20 mm)
Agency listings		UL listed per UL 60730 cUL listed to CSA C22.2 N. 24-93; CE certified
120 through 240 Vac		EMC and Low Voltage Directives
Ambient temperature		
Operating		–25°F to 130°F (–32°C to 55°C)
Transport		–25°F to 158°F (–32°C to 70°C)
Ambient humidity (non-condensing)		<95% rh
Pre-cabled connection		18 AWG (0.75 mm ²), 3 ft (0.9 m) long
Enclosure		IP54
Housing material		Plenum rated rugged plastic
Dimensions:		5.46" × 2.83" × 2.45" (138.8 mm × 72 mm × 62.5 mm)
Weight		1.54 lbs (0.55 kg) 1.77 lbs (0.7 kg) with packaging

Description

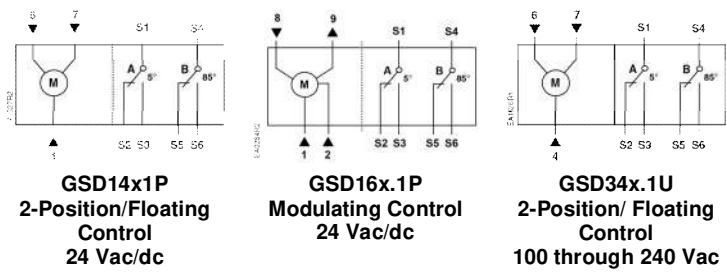
The OpenAir GSD Series direct-coupled, non-spring return rotary electronic damper actuators are 24 Vac/dc rated and available in 2-position, floating, and modulating [0(2) to 10 Vdc or 10 to 0(2) Vdc] control. The small footprint and torque make this actuator ideal for VAV boxes, small HVAC dampers, economizers, or residential zone dampers.



Features

- Pre-cabled
- Plenum rated models available
- Optional built-in auxiliary switches with fixed switch points at 5° and 85° rotation
- 30-second run time
- Signal inversion capability on modulating type [0(2) to 10 Vdc or 10 to 0(2) Vdc]
- Small footprint for installation flexibility
- UL and cUL listed; CE certified
- These devices were approved for installation in plenum areas by Underwriters Laboratories, Inc. per UL 2043.
- Low voltage models are 24 Vac/dc compatible
- 100 to 240 Vac models available
- Fixed Dual End Switches
 - 24 Vac to 250 Vac/12 to 30 Vdc
 - 6A resistive/2A inductive @ AC
 - 4A resistive/2A inductive @ 30 Vdc
 - 0.8A resistive, 0.5A inductive @ 60 Vdc
- 1/2" NPT conduit

Wiring Diagrams



Auxiliary Switches
GSDxx6.1x

Actuator Position	Switch A Common Connected to	Switch B Common Connected to
0° to 5°	S3	S6
5° to 85°	S2	S6
85° to 90°	S2	S5

Figure 1. Wiring Diagrams.

Dimensions
 in Inches (Millimeters)

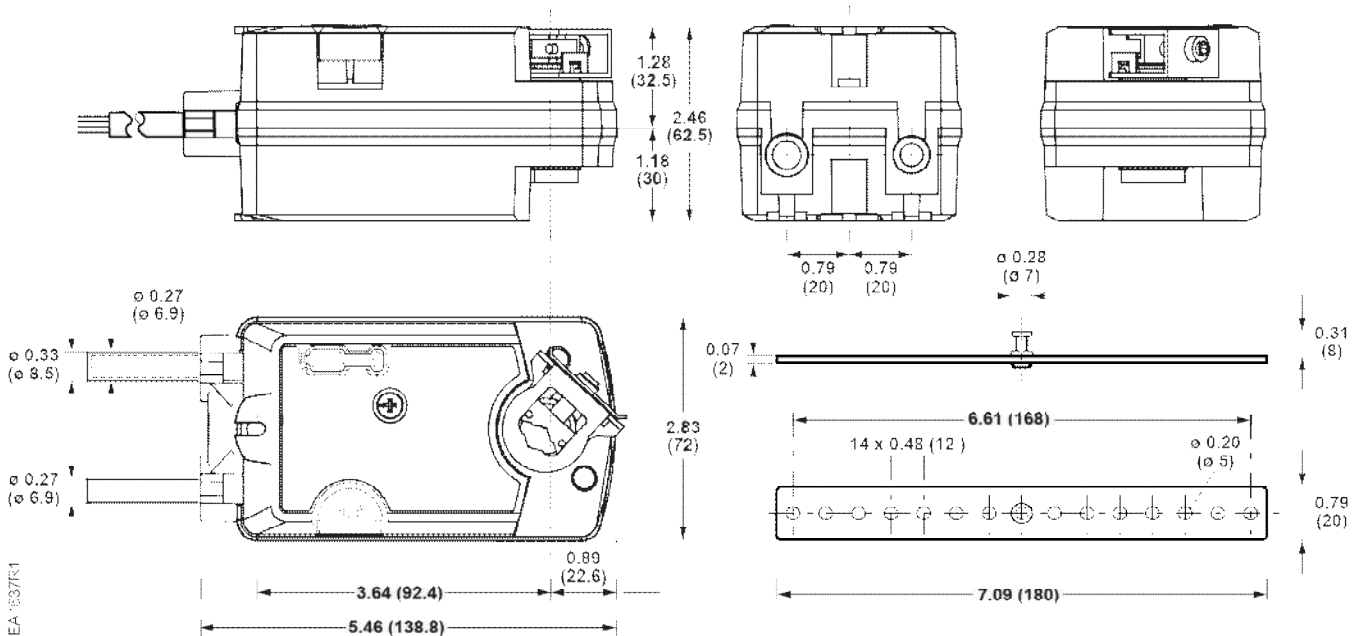


Figure 2. GSD Series Actuators with Mounting Bracket.

Information in this publication is based on current specifications. The company reserves the right to make changes in specifications and models as design improvements are introduced. OpenAir is a trademark of Siemens Schweiz AG. Other product or company names mentioned herein may be the trademarks of their respective owners. © 2017 Siemens Industry, Inc.