

OpenAir® GPC Series, Spring Return, 35 lb-in (4 Nm), Rotary Electronic Damper Actuators

Product Number	Torque	Voltage		Control Signals			Plenum Cabling	Appliance Cable	Auxiliary Switch
	35 lb-in	24 Vac/dc	100 to 240 Vac	2-Position	Floating	Modulating 0(2) to 10 Vdc/ 10 to 0(2) Vdc			
GPC121.1P	●	●	—	●	—	—	●	—	—
GPC126.1P	●	●	—	●	—	—	●	—	●
GPC131.1P	●	●	—	—	●	—	●	—	—
GPC136.1P	●	●	—	—	●	—	●	—	●
GPC161.1P	●	●	—	—	—	●	●	—	—
GPC166.1P	●	●	—	—	—	●	●	—	●
GPC321.1U	●	—	●	●	—	—	—	●	—
GPC326.1U	●	—	●	●	—	—	—	●	●

Technical Data

Torque	35 lb-in (4 Nm)
Runtime for 90°	60 seconds
Spring Return	15 seconds typical
Nominal angle of rotation	90° typical
Power consumption:	
	Running Holding
GPC12x @ 24 Vac, 60 Hz	3.4 VA (2.0W) 2.6 VA (1.6W)
GPC13x @ 24 Vac, 60 Hz	3.5 VA (2.1W) 2.8 VA (1.7W)
GPC16x @ 24 Vac, 60 Hz	3.5 VA (2.1W) 2.8 VA (1.6W)
GPC32x @ 120 Vac, 60 Hz	4.6 VA (2.4W) 3.5 VA (1.7W)
Damper shaft size	3/8-inch to 1/2-inch diameter (8 mm to 13 mm) 1/4-inch to 7/16-inch square (6 mm to 11 mm)
Damper shaft size, minimum	3/4-inch (20 mm) minimum length
Agency listings	UL listed per UL 60730 cUL listed to CSA 60730
CE Conformity	EMC, ROHS2 and Low Voltage Directives
FCC Conformity	Part 15 Class B Emissions
Australia Conformity	RCM requirements
Ambient temperature	
Operating	–25°F to 130°F (–32°C to 55°C)
Storage/transport	–40°F to 158°F (–40°C to 70°C)
Ambient humidity (non-condensing)	95% rh (non-condensing)
Pre-cabled connection	18 AWG (0.75 mm ²), 3 ft (0.9 m) long
Enclosure	NEMA 1
Housing material	Plenum rated rugged plastic
Fixed Dual End Switches	24 Vdc, 24 Vac to 250 Vac 6A resistive 2FLA/12 LRA, SPST Fixed 5° and 85°
Dimensions:	5.61" × 2.83" × 2.48" (142.6 mm × 72 mm × 63 mm)
Weight	1.32 lb (0.60 kg)

Description

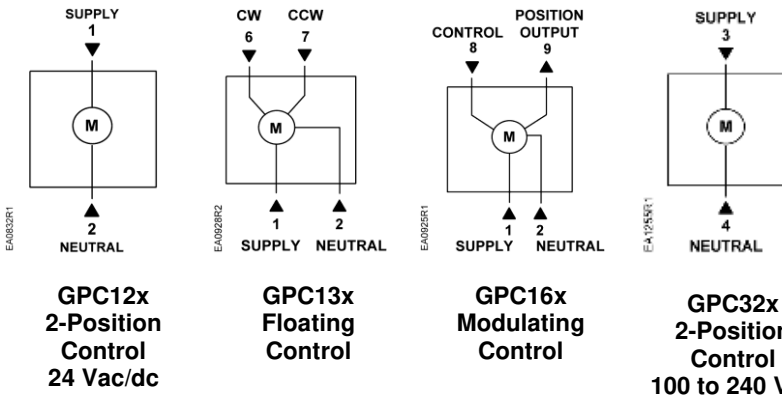
The OpenAir GPC Series direct-coupled, spring return rotary electronic damper actuators are 24 Vac/dc rated and available in 2-position, floating, and modulating [0(2) to 10 Vdc or 10 to 0(2) Vdc] control. The small footprint and torque make this actuator ideal for small HVAC dampers, economizer dampers, or residential zone dampers requiring fail-safe operation.



Features

- Bi-directional, fail-safe spring return
- Pre-cabled
- Plenum-rated models available
- Optional built-in auxiliary switches with fixed switch points at 5° and 85° rotation
- 60-second run time
- Signal inversion capability on modulating type [0(2) to 10 Vdc or 10 to 0(2) Vdc]
- Small footprint for installation flexibility
- UL and cUL listed; CE certified
- These devices were approved for installation in plenum areas by Underwriters Laboratories, Inc. per UL 2043.
- Low voltage models are 24 Vac/dc compatible
- 100 to 240 Vac models available
- 1/2" NPT conduit

Wiring Diagrams



**Auxiliary Switches
 GPCxx6.xx**

Actuator Position	Switch A Common Connected to	Switch B Common Connected to
0° to 5°	S3	S6
5° to 85°	S2	S6
85° to 90°	S2	S5

Figure 1. Wiring Diagrams.

**Dimensions
 in Inches (Millimeters)**

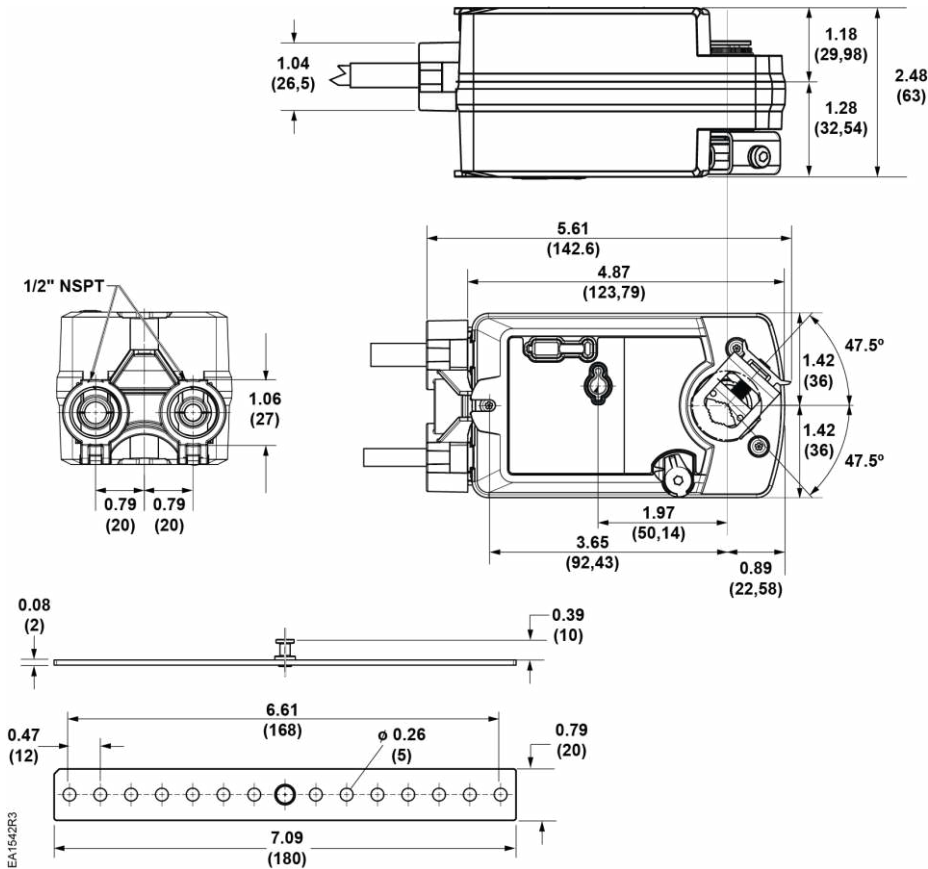


Figure 2. GPC Series Actuators with Mounting Bracket.

Information in this publication is based on current specifications. The company reserves the right to make changes in specifications and models as design improvements are introduced. OpenAir is a registered trademark of Siemens Schweiz AG. Other product or company names mentioned herein may be the trademarks of their respective owners. © 2019 Siemens Industry, Inc.