

OpenAir® GQD Series, Spring Return, 20 lb-in (2 Nm), Rotary Electronic Damper Actuators

Product Number*	Torque	Voltage		Control Signals			Plenum Cabling	Appliance Cable	Auxiliary Switch
	20 lb-in	24 Vac/dc	120 Vac	2-Position	Floating	Modulating 2 to 10 Vdc/ 10 to 2 Vdc			
GQD121.1P	●	●	—	●	—	—	●	—	—
GQD126.1P	●	●	—	●	—	—	●	—	●
GQD131.1P	●	●	—	—	●	—	●	—	—
GQD136.1P	●	●	—	—	●	—	●	—	●
GQD151.1P	●	●	—	—	—	●	●	—	—
GQD156.1P	●	●	—	—	—	●	●	—	●
GQD221.1U	●	—	●	●	—	—	—	●	—
GQD226.1U	●	—	●	●	—	—	—	●	●

* Add /B to part number to order a bulk pack of 10.

Technical Data

Torque	20 lb-in (2 Nm)
Runtime for 90°	30 seconds
Spring Return	15 seconds typical
Nominal angle of rotation	90° typical
Power consumption:	
	Running Holding
24 Vac ±20%/ 24 Vdc ±15%	
GQD12x	6.5 VA (4.5W) 4 VA (2.5W)
GQD13x	4 VA (2.5W) 3 VA (1.5W)
GQD15x	4.5 VA (3W) 3.5 VA (2W)
120 Vac ±15%	
GQD22x	10 VA 7 VA
Damper shaft size	3/8-inch to 1/2-inch diameter (8 mm to 13 mm) 1/4-inch to 7/16-inch square (6 mm to 11 mm)
Damper shaft size, minimum	3/4-inch (20 mm) minimum length
Agency listings	UL listed to UL873 cUL listed; CE certified EMC and Low Voltage Directives
120 Vac	
Ambient temperature	
Operating	–25°F to 130°F (–32°C to 55°C)
Storage/transport	–40°F to 158°F (–40°C to 70°C)
Ambient humidity (non-condensing)	95% rh (non-condensing)
Pre-cabled connection	18 AWG (0.75mm ²), 3 ft (0.9m) long
Enclosure	NEMA 1
Housing material	Plenum rated rugged plastic
Dimensions:	
GQDxx6.1x	4-23/32" × 2-22/32" × 2-15/32" (120 mm × 69 mm × 63 mm)
GQDxx1.1x	5-1/2" × 2-22/32" × 2-15/32" (138.5 mm × 69 mm × 63 mm)
GQDxx6.1x w/conduit box	6-3/16" × 2-22/32" × 2-15/32" (156.7 mm × 69 mm × 63 mm)
Weight	1.06 lbs (0.48 kg)

Description

The OpenAir GQD Series direct-coupled, spring return rotary electronic damper actuators are 24 Vac/dc rated and available in 2-position, floating, and modulating (2 to 10 Vdc) control. The small footprint and torque make this actuator ideal for small HVAC dampers, economizers, or residential zone dampers requiring fail-safe operation.



Features

- Bi-directional, fail-safe spring return
- Pre-cabled
- Plenum rated models available
- Optional built-in auxiliary switches with fixed switch points at 5° and 85° rotation
- Fast run time
- Signal inversion capability on modulating type (2 to 10 Vdc or 10 to 2 Vdc)
- Small footprint for installation flexibility
- UL and cUL listed; CE certified
- These devices were approved for installation in plenum areas by Underwriters Laboratories, Inc. per UL 1995.
- Low voltage models are 24 Vac/dc compatible
- All models without auxiliary switches are equipped with a conduit adapter.
- 120 Vac, 1/2" NPT conduit, model available
- Fixed Dual End Switches
 - 24 Vdc, 24 Vac to 250 Vac
 - 6A resistive
 - 2FLA/12 LRA
 - SPST
 - Fixed 5° and 85°

Wiring Diagrams

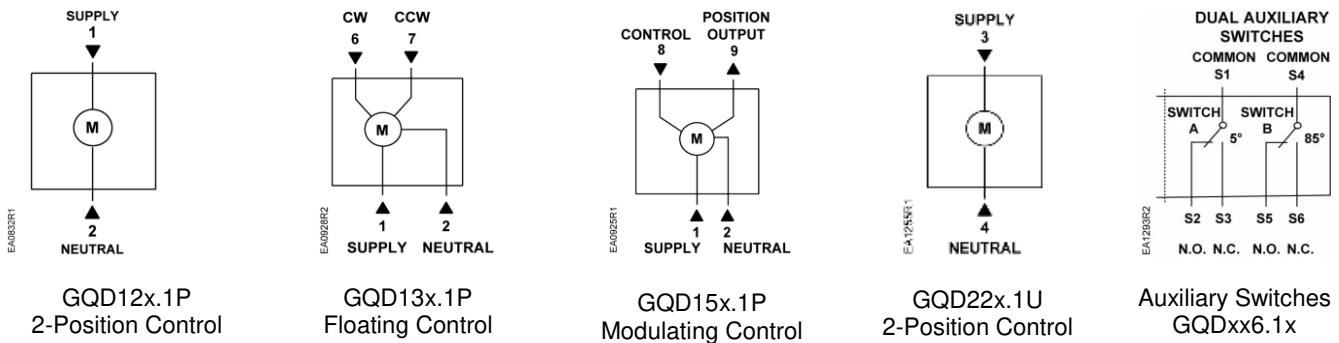


Figure 1. Wiring Diagrams.

Dimensions in Inches (Millimeters)

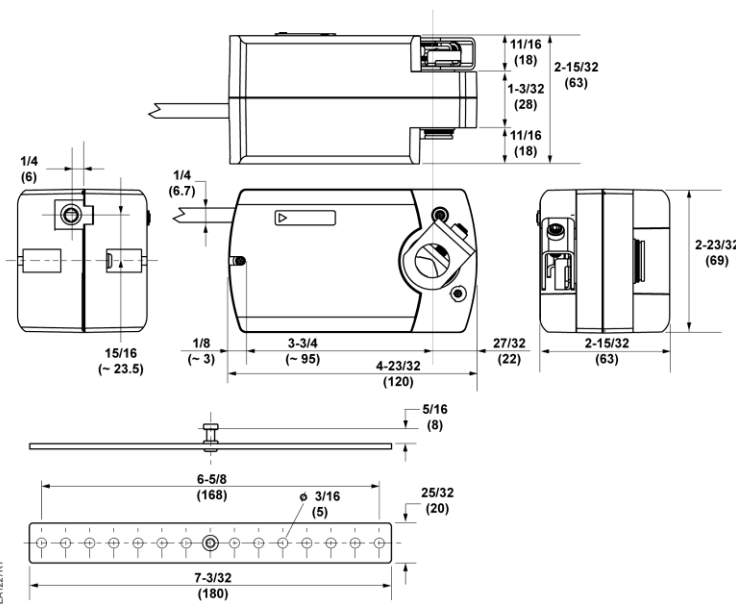


Figure 2. GQDxx6.1x Actuators and Mounting Bracket.

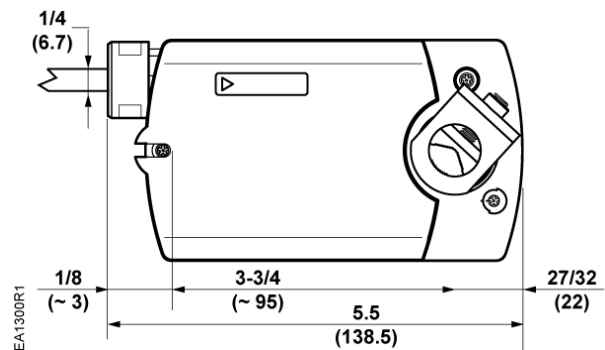


Figure 3. GQDxx1.1x Actuators Only.

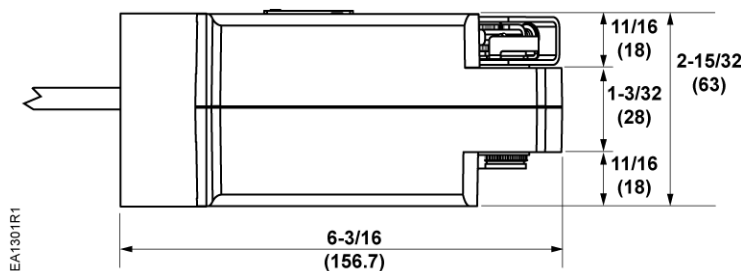


Figure 4. GQDxx6.1x with Conduit Box.

Information in this publication is based on current specifications. The company reserves the right to make changes in specifications and models as design improvements are introduced. OpenAir is a registered trademark of Siemens Schweiz AG. Other product or company names mentioned herein may be the trademarks of their respective owners. © 2019 Siemens Industry, Inc.