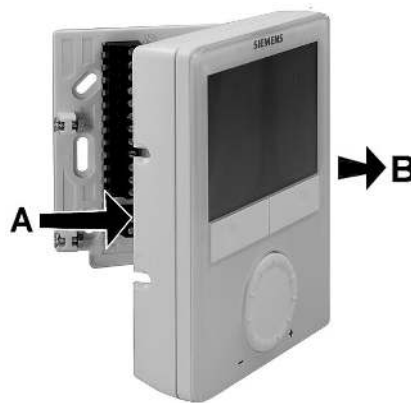
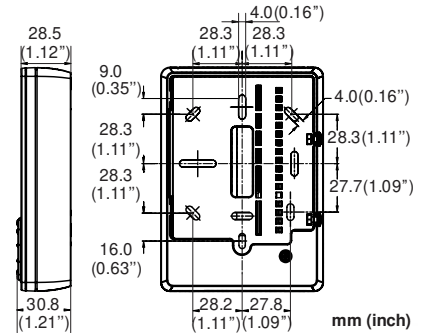
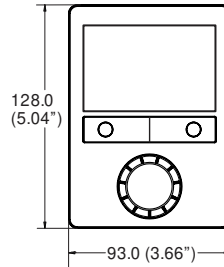
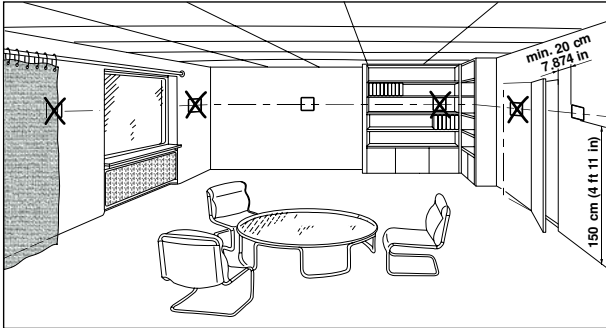
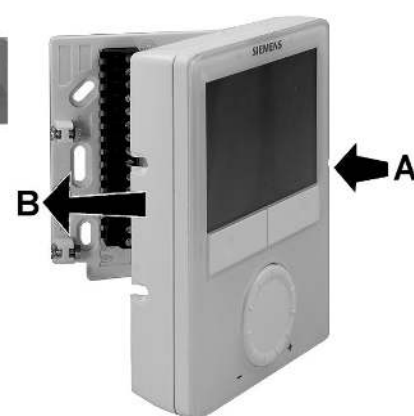
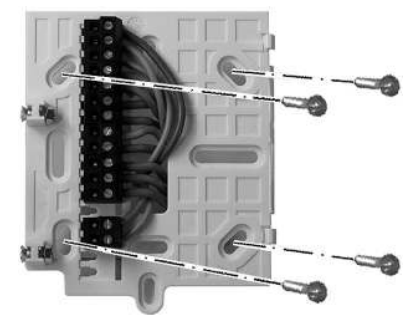
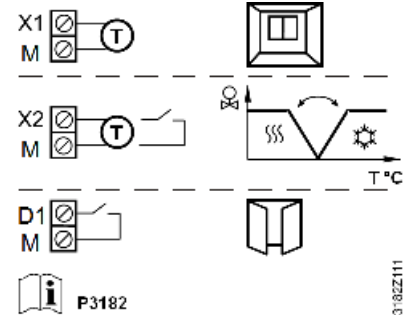
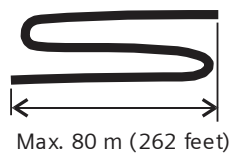


RDG400



Max. 1 x 2.5 mm² (1 x 14 gauge)
Max. 2 x 1.5 mm² (2 x 16 gauge)



Max. 10 A

AC 24 V

For US installations, use Class 2 rated power supplies.
For other installations, use circuit breakers with rated current of no more than 10 A.

Max. 1 A

- 1) ① ④
- 2) **a** Outputs → DC 0...10 V / DC 10...0 V / 3-pos
- 3)
- 4)
- 5) G,G0 / 24 VAC
- 6)
- 7) P01...Pn

a Outputs	DC 10...0 V DIP 4 ON	3-pos
VAV	DC 0...10 V DIP 4 OFF	▲ Y1/▼ Y2
Y10	Y10	▲ Y1/▼ Y2
① Single duct		

Max. 10 A

AC 24 V

For US installations, use Class 2 rated power supplies.
For other installations, use circuit breakers with rated current of no more than 10 A.

Max. 1 A

P01=0, P01=1, P01=2, P01=3, P01=4

a Outputs	DC 10...0 V DIP 4 ON	VAV V1	VAV V1	V2
Y10	DC 0...10 V DIP 4 OFF	V2	V2	VAV V1
Y1 / Y2	V2	V2	V2	VAV V1
Y1	2-pos (PWM)	3-pos	3-pos	3-pos
Y2	Y1	▲ Y1/▼ Y2	▲ Y1/▼ Y2	▲ Y1/▼ Y2
② Single duct & el. heater				
③ Single duct & radiator				
④ Single duct & heat-cooling				

→ P3182

	en	de	fr	it	es	cs	tr
①	Single duct	Einkanal	Monogaine	Monocondotto	Un conducto	Jeden kanal	Tek kanal
②	Single duct & el. heater	Einkanal & elektr. Heizung	Monogaine & chauffage électrique	Monocondotto & batteria elettrica di riscaldamento	Un conducto & batería eléctrica	Jeden kanal & el. ohrev	Tek kanal & Elk ısıtıcı
③	Single duct & radiator	Einkanal & Radiatorventil	Monogaine & radiateur	Monocondotto & radiatore	Un conducto & radiadores	Jeden kanal & rad	Tek kanal & radyatör
④	Single duct & heating/cooling	Einkanal & Heizen/Kühlen	Monogaine & chauffage/refroidissement	Monocondotto & riscaldamento /raffreddamento	Un conducto & calefacción/refrigeración	Jeden kanal & vytapení/chlazení	Tek kanal & ısıtma soğutma bataryası