

POWERS™ Controls

CP 567 Control Cabinets

Description CP 567 Control Cabinets are designed to conveniently group control system components (see Figure 1). Control components can be mounted on the door or mounted within the cabinet enclosure using the perforated mounting plate. Cabinets are available in five sizes: 0, 1, 2, 3, and 4. See Table 1 for product numbers and dimensions.

- The enclosure, door, and mounting plate for Sizes 1 and 3, and door and mounting plate for Size 4 may be ordered separately.
- The Size 1 cabinet enclosure is available in a flush mount version.
- Size 3 and 4 cabinets are available in 6-inch depth (for electronic installations) or 9-inch depth (for pneumatic installations).
- Size 0 cabinets have permanently mounted door hinge and have windowed door option. These sizes are only available as complete cabinet assemblies.

Variations



Figure 1. CP 567 Control Cabinet Assembly Examples

Table 1. Product Numbers.

Description	Size	Installation	Product Numbers	Dimensions Inches (mm) H x W x D
Complete Cabinet Assemblies				
(Cabinet Assembly includes cabinet box-enclosure, blank door, perforated mounting panel, keylock, and label for optional application.)				
Cabinet Assembly with Blank Door	0	Electronic	567-551	12 (305) x 14 (356) x 3-1/2 (89)
	1	Pneumatic	567-351	19-1/2 (495) x 16-3/8 (416) x 5-3/4 (146)
	2	Electronic	567-454	20 (508) x 20 (508) x 6 (152)
	3	Pneumatic	567-352	24-5/16 (617) x 24-3/8 (619) x 9-3/8 (238)
	3	Electronic	567-452	24-5/16 (617) x 24-3/8 (619) x 6 (152)
	4	Pneumatic	567-353	36-1/2 (927) x 24-3/8 (619) x 9-3/8 (238)
	4	Electronic	567-453	36-1/2 (927) x 24-3/8 (619) x 6 (152)
Cabinet Assembly with polycarbonate Window in the Door	0	Electronic	567-556	12 (305) x 14 (356) x 3-1/2 (89)

Table 2. Product Numbers (continued).

Description	Size	Installation	Product Numbers	Dimensions Inches (mm) H x W x D
Individual Cabinet Components for Rough-in and Staged Installation				
Cabinet Enclosure (Box) Only – for rough-in	1	Pneumatic	567-371	See Figures 4 and 5
	3	Either	567-372	See Figures 4 and 5
Cabinet Door Only	1	Pneumatic	567-361	See Figure 4
	3	Either	567-362	
	4	Either	567-363	
Flush Mount Cabinet	1	Pneumatic	567-391	See Figure 6
Flush Mount Door Kit	1	Pneumatic	567-390	See Figure 7
Perforated Mounting Plates (NOTE: Mounting bolts and nuts included with enclosure (box.))	1	Pneumatic	567-381	–
	3	Either	567-382	
	4	Either	567-383	

Application

CP 567 Control Cabinets provide a convenient central location for equipment mounting, termination of piping, adjustment, and calibration.

The door and mounting plate can be separated from the cabinet enclosure on Sizes 1, 3 and 4. The empty cabinet enclosure can be installed at the job site to permit early wiring rough-in.

Controls may be mounted to the door and mounting plate either at the job site or at the office, and attached to the cabinet enclosure at your convenience. After reassembly, final connections are made.

Cabinets may be used with pneumatic systems employing either copper or polyethylene tubing for transmission lines, with wired electric/electronic systems, or with a combination of both. Cabinets with window in door may be used with controls having displays.

Pneumatic tubing within the cabinet enclosure should be polyethylene for a flexible connection to hinged door components and for easy installation and arrangement.

Features

- Cabinets are symmetrical; therefore, they can be mounted with the door hinge on the left or right hand side.
- Door is removable on Sizes 1, 3 and 4. Sizes 0 and 2 have a fixed hinge door.
- Attractive gray finish permits use in occupied areas.
- Removable perforated mounting plate permits mounting controls inside the cabinet without drilling holes.
- All cabinets can be wall mounted. Knockouts are provided for wiring or piping.
- A windowed door version is available for controls having displays for external viewing.
- Cabinets are NEMA 1 rated, listed under UL 508 Industrial Control Panel Enclosures.
- CSA approved file LR84214.
- Height and width dimensions and cabinet color are the same for automation and pneumatic cabinets for a uniform look and mounting.

Specifications

Cabinet Sizes	See Table 1.
Dimensions:	
Cabinet, Door, Subpanel	See Figures 4 through 8 and Tables 6, and 7
Mounting:	
Wall	See Figure 4 and Table 6.
Floor	See Figure 5.
Flush (in wall)	See Figures 7 and 8, and Table 7.
Knockouts-Electrical Conduit Size:	
Size 0 Cabinets	
Top	(3) 1-1/4 or 1-1/2, (1) 3/4 or 1, (2) 1/2 or 3/4, (1) 7/16
Bottom	(3) 1-1/4 or 1-1/2, (1) 3/4 or 1, (2) 1/2 or 3/4, (1) 7/16
Right Side	(2) 2
Left Side	(2) 2
Size 1 and Flush Mount Cabinets	
Top	(3) 1-1/4 or 1-1/2, (1) 3/4 or 1, (2) 1/2 or 3/4, (1) 7/16
Bottom	(3) 1-1/4 or 1-1/2, (1) 3/4 or 1, (2) 1/2 or 3/4, (1) 7/16
Right Side	(2) 2
Left Side	(2) 2
Size 2, Size 3 and Size 4 Cabinets	
Top	(1) 2, (3) 1-1/4 or 1-1/2, (1) 3/4 or 1, (1) 1/2 or 3/4, (1) 7/16
Bottom	(1) 2, (3) 1-1/4 or 1-1/2, (1) 3/4 or 1, (1) 1/2 or 3/4, (1) 7/16
Right Side	(2) 2
Left Side	(2) 2
Material (Steel):	
Cabinet (Size 0, 1, 2, 3 and Flush Mount)	16 gauge 0.0598 (1.5 mm)
Door (Size 0, 1, 2, 3 and Flush Mount)	16 gauge 0.0598 (1.5 mm)
Cabinet (Size 4)	14 gauge 0.0747 (1.9 mm)
Door (Size 4)	14 gauge 0.0747 (1.9 mm)
Mounting Plate	16 gauge 0.0598 (1.5 mm)
Finish	Gray
Weight:	
Size 0 Cabinet Assembly	12 lbs (5.5kg) with or without window
Size 1 Cabinet Assembly	20 lbs (9 kg)
Size 2 Cabinet Assembly	28 lbs (13 kg)
Size 3 Cabinet Assembly	39 lbs (18 kg)
Size 4 Cabinet Assembly	72 lbs (33 kg)
Flush Mount Enclosure	20 lbs (9 kg)
Flush Mount Kit	8 lbs (3.6 kg)
Support Legs	See Table 2.

Accessories

Replacement Door Lock and Key Assembly 567-225

Door Layout

NOTE: Controls cannot be mounted to the door of the flush mount cabinet.

Perform the following steps when preparing to lay out a cabinet door:

1. Determine controls to be mounted on the door.
2. Determine if the controls mounted in the door will clear the mounting plate when tubing or wires are attached. See Figure 3 and Table 5 for dimensions. Table 4 provides the approximate space requirements for controls frequently mounted in the door.
3. Determine if the total weight of the controls (see Table 4) to be mounted on the door are within the maximum weight limitations shown in Table 3. If weight limitations are exceeded, the door might sag and prevent proper closure.

Table 3. Weight Limitations.

Cabinet Size	Maximum Weight of Controls That Can Be Mounted on Door lb (Kg)	Maximum Number of Selector Switches That Can Be Mounted on Door
Size 1	21 (9.5)	14
Size 2	24 (11)	16
Size 3	30 (14)	20
Size 4	93 (42)	62

Cabinet Installation (Non-flush mount)

1. There are four keyhole mounting holes in the back surface of the cabinet. Their sizes and locations are shown in Figure 5. Use wall anchors that are suitable to support the weight of the cabinet and its contents.
2. If more than one cabinet is to be mounted in the same location, allow at least 2 inches (51 mm) between cabinets to provide space for doors to open properly.
3. The cabinets are symmetrical before cutouts have been made, so the door can be mounted with the hinge on the left or right side.
4. Determine the size of the knockouts required for the number and size of pneumatic tubes and wires to be brought into the cabinet.
5. If more than one knockout is required, divide the tubes and wires for easy connection to the controls.

Controls Installation NOTE: It might be easier to remove the door from the cabinet and then mount the controls onto the door or the mounting plate.

1. The space required for the controls mounted in the door or the mounting plate is shown in Table 4. Space available between the door and the mounting plate is shown in Figure 4, Table 5, and Table 6.
2. Arrange the controls on the mounting plate to avoid interference with the controls on the door. Arrange the controls in logical groupings for easy access to fitting and wiring terminals. Table 4 shows the approximate space required for controls frequently mounted on the mounting plate in the cabinet.
3. In some cases it might be easier to remove the mounting plate to mount the controls.
4. Mount the controls to the perforated mounting plate with standard sheet metal screws.
5. When routing tubing or wires from the controls mounted on the door, allow sufficient slack to prevent excessive stress.
6. Bundle and tie tubing and wires separately.

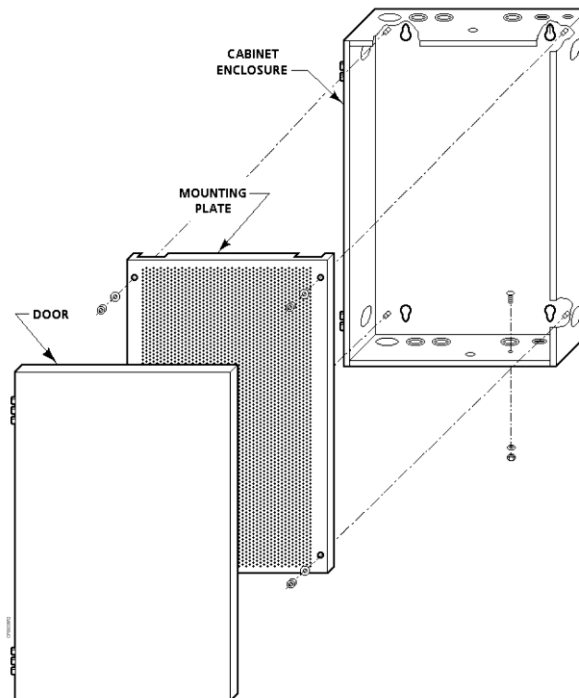


Figure 2. Wall Mount Cabinet Components.

Cabinet Installation (Flush Mount)

1. Mount the cabinet in a wall at least 6 inches (15.2 cm) deep. There are four keyhole mounting holes in the back surface of the cabinet. Their sizes and locations are shown in Figure 5. Use wall anchors that are suitable to support the weight of the cabinet and its contents.
2. Determine the size of the knockouts required for the number and size of pneumatic tubes and wires to be brought into the cabinet.
3. The cabinets are symmetrical before cutouts have been made, so the door can be mounted with the hinge on the left or right side.
4. If more than one knockout is required, divide the tubes and wires for easy connection to the controls.

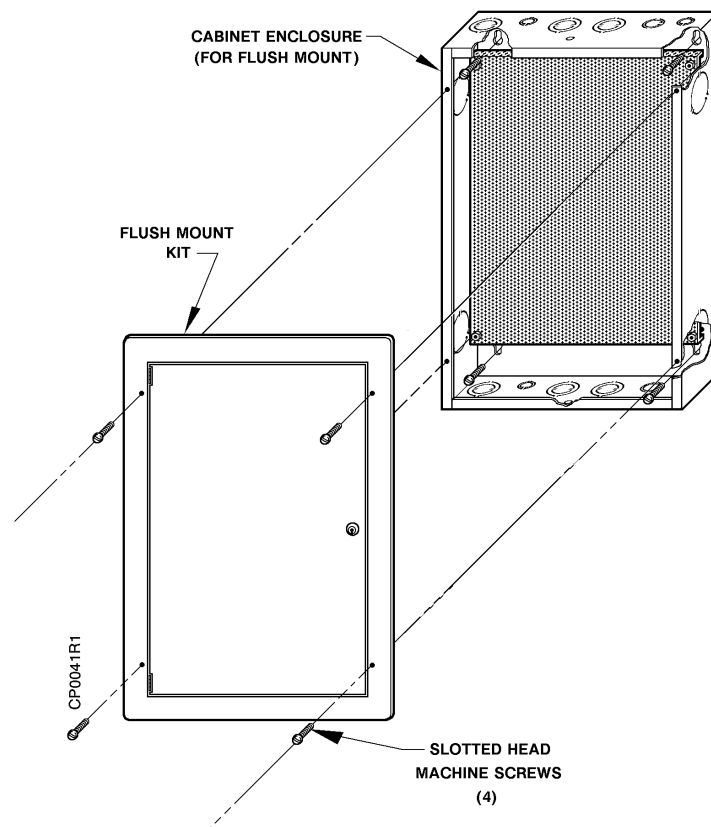


Figure 3. Flush Mount Cabinet Components.

Table 4. Approximate Panel Space Requirements (Includes Fitting and Clearances).

Equipment	Door Mounting Depth Inches (mm)	Equipment Weight Pounds (kg) (See Note 3)	Mounting Plate Depth Inches (mm)	Inside Area Required Inches ² (cm ²)
6 Input Sig. Selector	–	–	4 (102)	12 (77)
656 Pilot Valve	–	–	3 (76)	100 (645)
ARG61.00 Wall Mount Case	–	–	8.52 (216.4)	13.10 (84.5)
ARG61.01 Panel Mount Case	7.52 (191)	1.65 (0.750)	–	11.28 (72.8)
D.P. Switch	–	–	3 (76)	45 (290)
Diff. Press. Reg.	–	–	3 (76)	35 (226) (See Note 1)
E.P.	–	–	1-1/4 (32)	30 (194)
Electric Relay	–	–	4 (102)	30 (194)
Enthalpy Comparator	–	–	3-1/2 (89)	30 (194)
FZA 21 Remote Setting Unit	0.87 (22)	0.11 (0.05)	–	1.98 (12.76)
FZA 61 Remote Setting Unit	1.10 (28)	0.15 (0.07)	–	3.00 (19.36)
Gauges 1-1/2"	2 (51)	0.2 (0.09)	1-1/2 (38)	4 (26) (See Note 2)
Gauges 2-1/2"	2-1/2 (64)	0.5 (0.22)	–	–
Gauges 3-1/2"	2-1/2 (64)	0.6 (0.27)	–	–
Min (PRV)	3 (76)	0.5 (0.22)	2 (51)	10 (65)
MP, BR, Analog Relays	4-1/2 (114)	2 (0.91)	2-1/2 or 5 (64 or 127)	42 (271)
P.E. (Single)	–	–	3-1/2 (89)	28 (181)
Positioning/Selector Switch	3 (76)	2 (0.91)	5 (127)	10 (65) (See Note 2)
PRV (Powers)	–	–	5-1/2 (140)	100 (645)
RC 195	–	–	3-1/2 (89)	60 (387)
Static Pressure Reg.	–	–	4 (102)	30 (194)
Switching Relay	–	–	2-1/2 (64)	65 (419)

- NOTES:**
1. Normally not mounted inside of the cabinet.
 2. If mounted inside of the cabinet.
 3. Weights are given for door mounted devices only.

Table 5. Usability.

Product Numbers	Cabinet Enclosure	Inside Depth Door to Mounting Plate Inches (mm)	Maximum Usable Area Inches ² (cm ²)	Maximum Number of RC-195 Per Cabinet
567-351	Size 1	5 (127)	172 (1109)	3
567-391	Flush Mount	4-5/8 (117)	172 (1109)	3
567-454	Size 2	5-1/2 (140)	227 (1465)	4
567-352 567-452	Size 3	8-1/2 (216) 5-1/2 (140)	380 (2451)	6
567-353 567-453	Size 4	8-1/2 (216) 5-1/2 (140)	615 (3967)	10

Dimensions

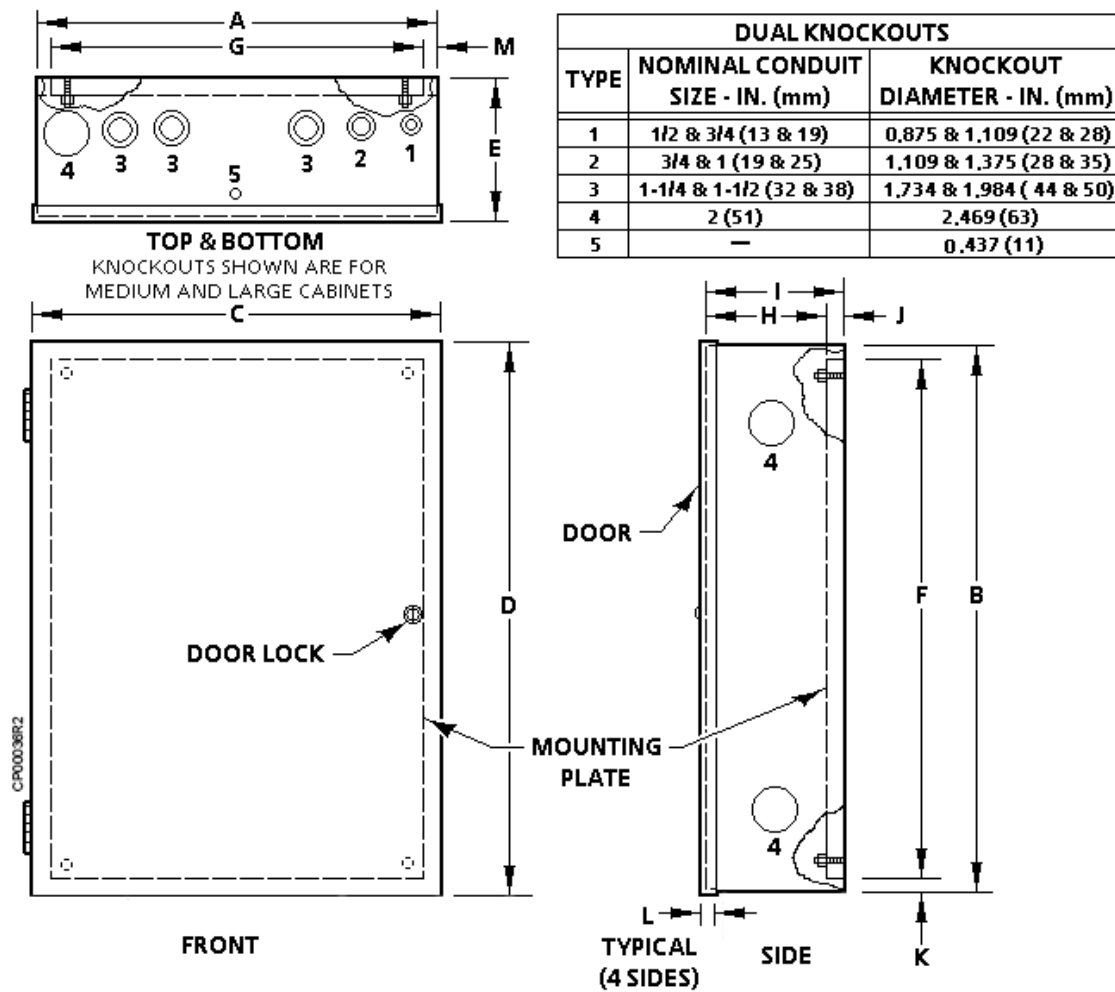


Figure 4. Cabinet Dimensions (See Table 5 and Table 6).

**Dimensions,
 Continued**

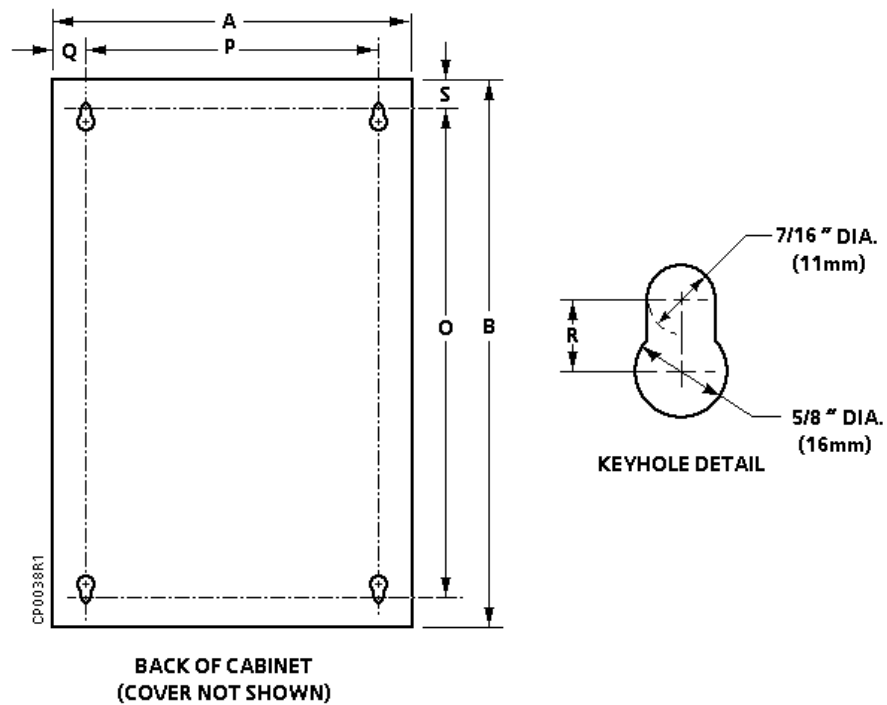


Figure 5. Rear View of Cabinet (See Table 6).

Table 6. Cabinet Assembly Dimensions (See Figures 4, 5, and 6).

Cabinet Assembly		Dimensions Inches (mm)									
Product Number	Size	A	B	C	D	E	F	G	H	I	J
567-351	Size 1	16 (406)	19 (483)	16-3/8 (416)	19-1/2 (495)	5-3/4 (146)	14-1/2 (368)	14-3/4 (375)	5 (127)	5-11/16 (145)	1/2 (13)
567-454	Size 2	20 (508)	20 (508)	20-5/16 (516)	20-5/16 (516)	6 (152)	19 (483)	15.25 (387)	5-3/8 (137)	5-7/8 (149)	1/2 (13)
567-352 [567-452]	Size 3	24 (610)	24 (610)	24-3/8 (619)	24-5/16 (617)	9-3/8 (238) [6 (152)]	19-1/4 (489)	23 (584)	8-1/2 (216)	9-1/4 (235) [5-7/8 (149)]	1/2 (13)
567-353 [567-453]	Size 4	24 (610)	36 (914)	24-3/8 (619)	36-1/2 (927)	9-3/8 (238) [6 (152)]	31-1/2 (800)	22 (559)	8-1/2 (216)	9-1/4 (235) [5-7/8 (149)]	1/2 (13)
Product Number	Size	K	L	M	O	P	Q	R	S	-	-
567-351	Size 1	2-1/4 (57)	3/4 (19)	5/8 (16)	16-1/2 (419)	13-1/2 (343)	1-1/4 (32)	1/2 (13)	1-1/4 (32)	-	-
567-454	Size 2	2-1/4 (57)	3/4 (19)	1/2 (13)	17.5 (445)	12 (305)	4 (102)	1/2 (13)	1-1/4 (32)	-	-
567-352 [567-452]	Size 3	2-1/4 (57)	3/4 (19)	1/2 (13)	21 (533)	16 (406)	4 (102)	1/2 (13)	1-1/2 (38)	-	-
567-353 [567-453]	Size 4	2-1/4 (57)	3/4 (19)	1 (25)	33-1/2 (851)	16-3/4 (425)	3-5/8 (92)	1/2 (13)	1-1/4 (32)	-	-

**Dimensions,
 Continued**

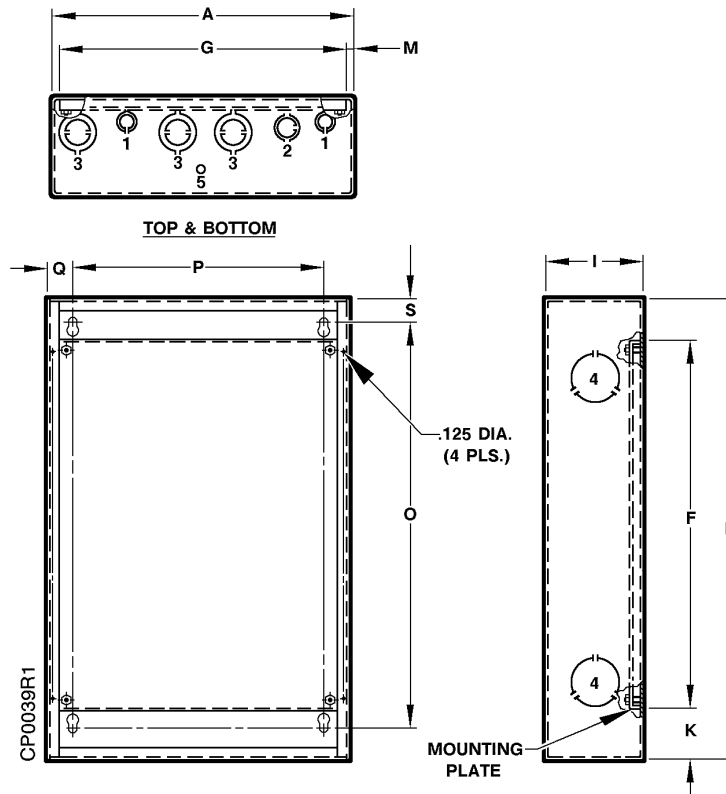
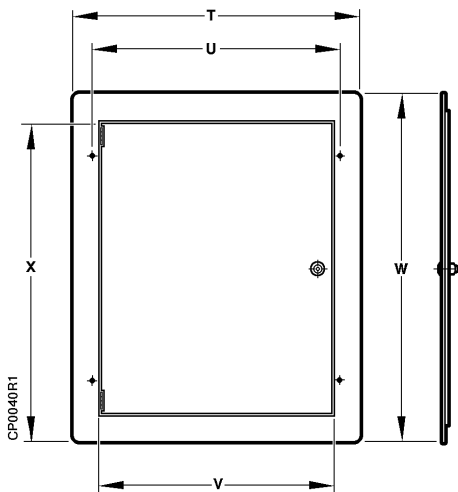


Figure 6. Flush Mount Cabinet Dimensions (See Table 7).



**Figure 7. Flush Mount Door Dimensions
 (See Table 7).**

Table 7. Flush Mount Cabinet and Door Dimensions.

Dimensions in Inches (mm)							
A*	B*	F	G	I	K	M	O
16-1/8 (410)	19-1/2 (495)	13-1/2 (343)	14-3/4 (375)	5-1/8 (130)	1-1/2 (38)	1-11/16 (43)	16-1/2 (419)
P	Q	S	T*	U	V	W*	X
13-1/2 (343)	1-1/4 (32)	1-1/4 (32)	18 (457)	15-7/16 (392)	14-3/4 (375)	21-3/8 (543)	18-1/8 (460)

* Cutout dimensions; make cutout at least the size of dimensions A and B (cabinet size) but no larger than T and W (door size).

Information in this publication is based on current specifications. The company reserves the right to make changes in specifications and models as design improvements are introduced. POWERS is a trademark of Siemens Industry, Inc. Other product or company names mentioned herein may be the trademarks of their respective owners. © 2017-2022 Siemens Industry, Inc.