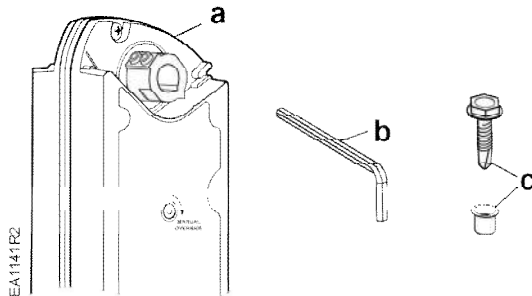


## OpenAir™ GND Series Electronic Damper Actuator Designed for UL Listed Fire/Smoke and Smoke Control Dampers



- a. Actuator
- b. Hex key – 3mm
- c. Eyelet and 1/4-inch hex head screw

Figure 1. GND Actuator Parts.

### Product Description

Step-by-step description for direct-coupled mounting of the OpenAir GND fast-acting two-position rotary electronic damper actuator. Actuator is intended for control of approved fire and smoke leakage-rated HVAC dampers.

### Product Numbers

- GND12x.1x
- GND22x.1x
- GND32x.1x

### Warning/Caution Notations

<b>WARNING:</b>		Personal injury or loss of life may occur if you do not follow a procedure as specified.
<b>CAUTION:</b>		Equipment damage or loss of data may occur if you do not follow a procedure as specified.

### Required Tools

- 3 mm hex wrench (provided)
- No. 2 Phillips screwdriver
- 1/4-inch (6.4 mm) hex driver
- Marker or pencil

### Prerequisites



**WARNING:**  
 Do not open the actuator housing.

### Installation

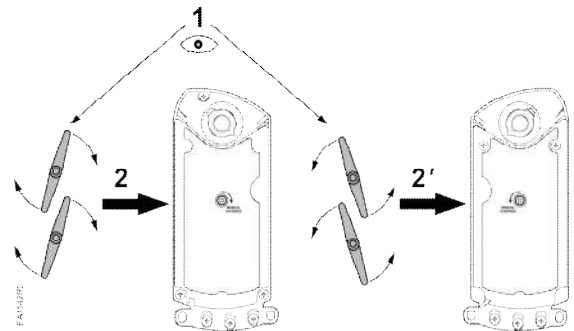


Figure 2. Actuator Mounting Orientation.

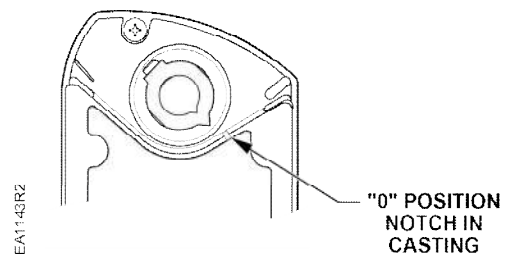
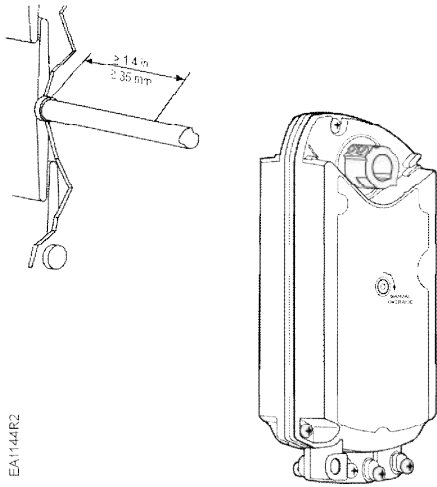
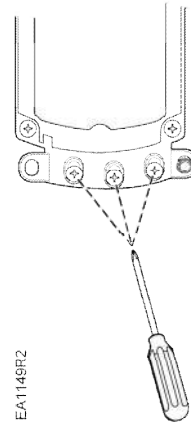


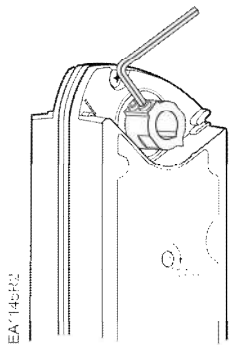
Figure 3. Actuator Internal End Stops.



**Figure 4. Shaft Length and Proper Shaft Adapter Location.**



**Figure 7. Tighten Conduit Screws (No. 2 Phillips Driver).**

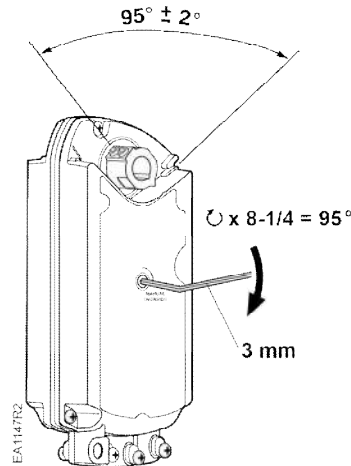


**CAUTION:**  
 Apply 60 in-lb to 90 in-lb (7 Nm to 10 Nm) maximum torque to the shaft fixation set screws. All four screws must be tightened.

**Figure 5. Fasten the Shaft Adapter to the Damper Shaft.**

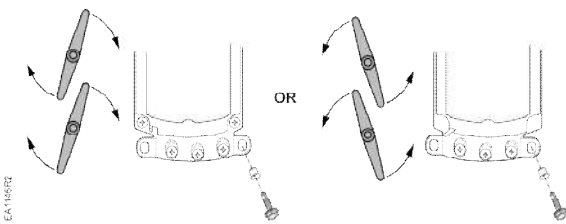
### Manual Override

For adjustment of the damper/actuator when there is no power.



**CAUTION:**  
 Always turn key in direction of the arrow.

**Figure 8. Manual Override.**

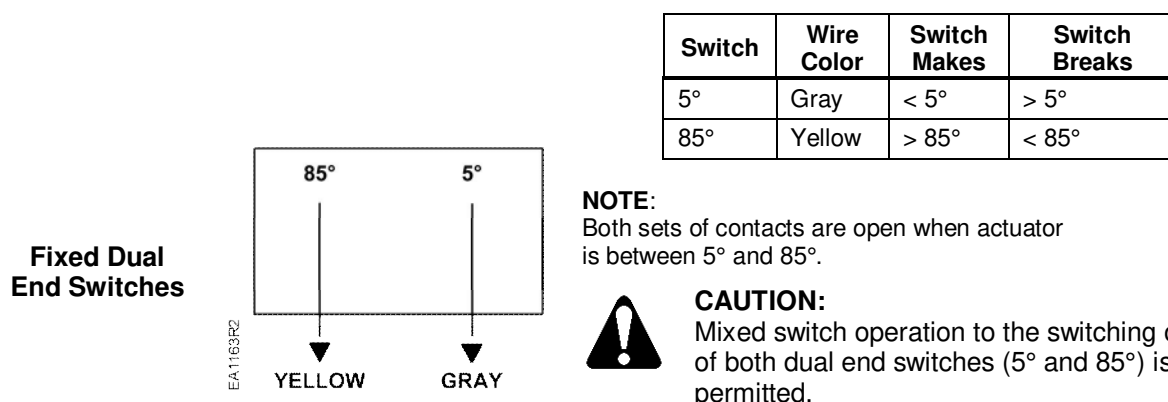
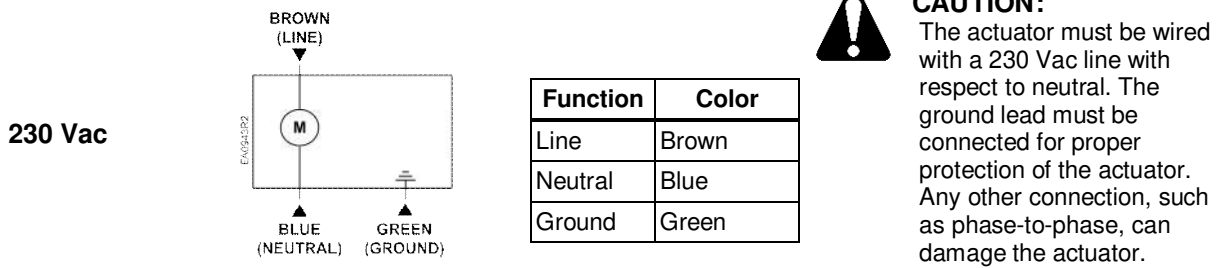
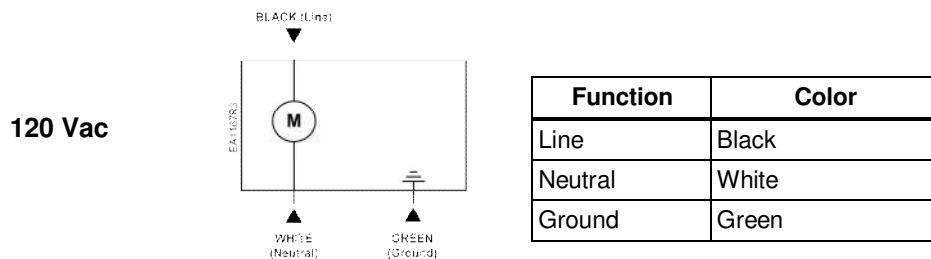
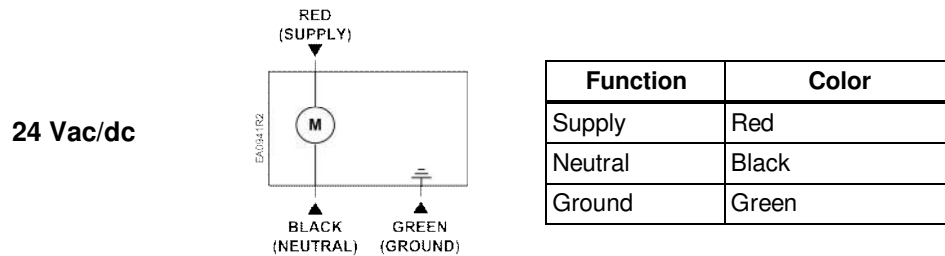


**Figure 6.**

1. Insert the eyelet through housing ear.
2. Insert screw through eyelet and tighten using 1/4-inch (32 mm) hex driver.

## Wiring Diagrams

**NOTE:** All wiring must conform to NEC and local codes and regulations.



Either AC line voltage from the same phase must be applied to all four outputs of the fixed dual end switches, or UL-Class 2 voltage must be applied to all four outputs.

## Wiring, Continued

### Electronic Fusible Link (EFL)

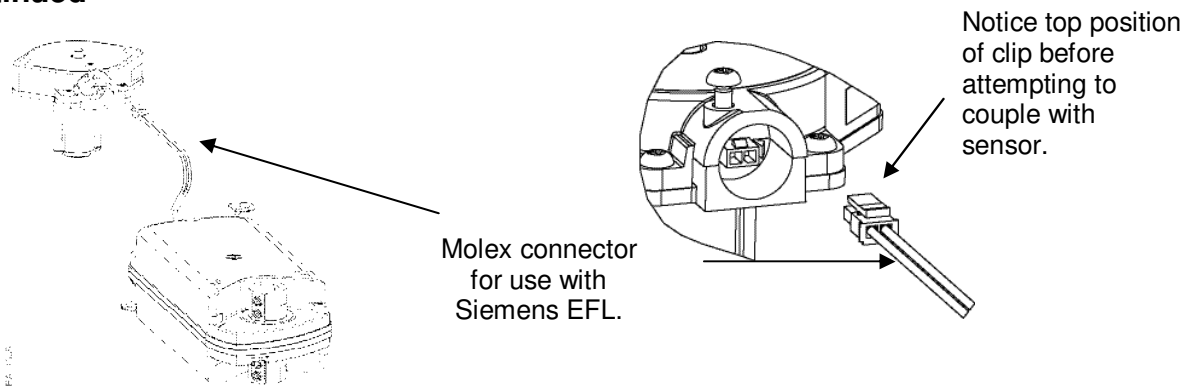


Figure 9. GND EFL Models Come Pre-wired for Assembly.

**NOTE:** The GND models pre-wired for assembly with the EFL (GNDxxx.1U/F) will only operate when an EFL, (ASK79.xxx) is attached.

## Maintenance



### CAUTION:

The GND actuator does not require any periodic cycling to function properly as an integral part of an active smoke control damper system. **The National Fire Alarm Code NFPA 72 states that all life safety systems are to be functionally checked at least annually.** Check the smoke control damper/actuator every time you functionally check your smoke detectors, emergency lights, and/or power generators for operation.

## Electronic Fusible Link (EFL)

Versions GNDxxx.1U/F contain wire with a Molex connector (See Figure 9) to accommodate an EFL. EFLs are purchased separately. See Table 1.

Table 1. Electronic Fusible Link Product Numbers.

Part Number	Operation
ASK79.165	165°F (74°C)
ASK79.212	212°F (100°C)
ASK79.250	250°F (121°C)
ASK79.350	350°F (177°C)

## Dimensions

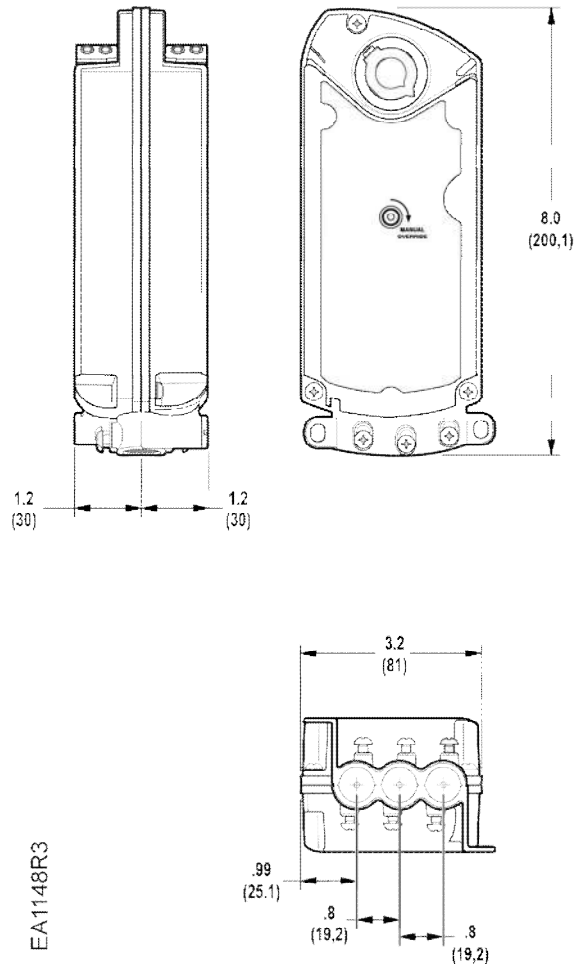


Figure 10. Dimensions of GND OpenAir Actuator in Inches (mm).

## References

Technical Instructions 155-746  
OpenAir Electric Damper Actuator Designed  
for UL Listed Fire/Smoke and Smoke Control  
Dampers

Information in this publication is based on current specifications. The company reserves the right to make changes in specifications and models as design improvements are introduced. OpenAir is a trademark of Siemens Schweiz AG. Other product or company names mentioned herein may be the trademarks of their respective owners. © 2018 Siemens Industry, Inc.